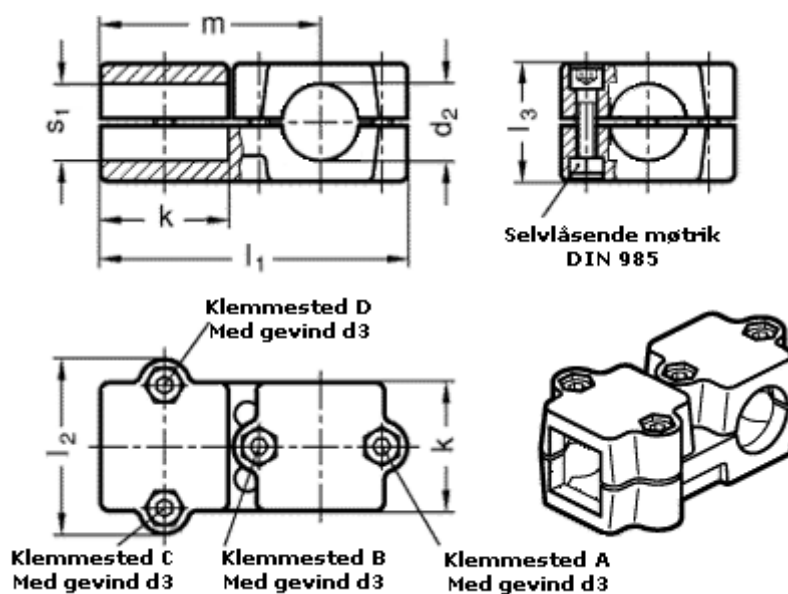


Article number: 20194B30V302SW

Description: E+G

T-angel clamps GN194-B30-V30-2-SW

Measures



d1 = 30

d3 = M 8

k = 50

l1 = 120

l2 = 68

l3 = 46

m = 85

s2 = 30